

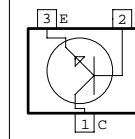
WALL BRICK INPUT
12VDC @1A

DCIN

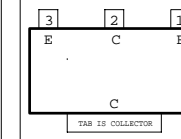
VIN

WIDE TRACE FOR HIGH CURRENT

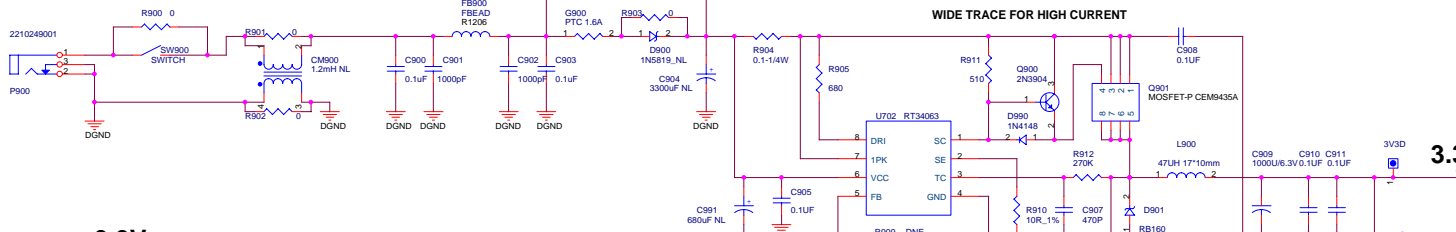
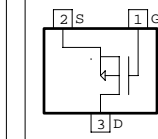
PIN OUT: Q200,
Q201, Q202, Q406
SOT23_NPN_PNP



PIN OUT: Q300, Q401
SOT89 PACKAGE



PIN OUT: Q100,
Q403, Q405, Q408
SOT23_MOSFET



3.3V

U100C
TNETD7300



3.3V

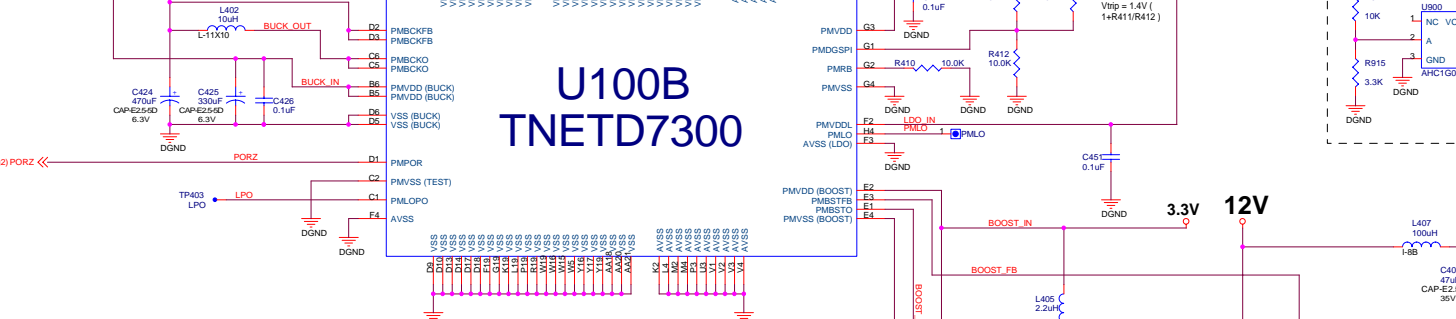
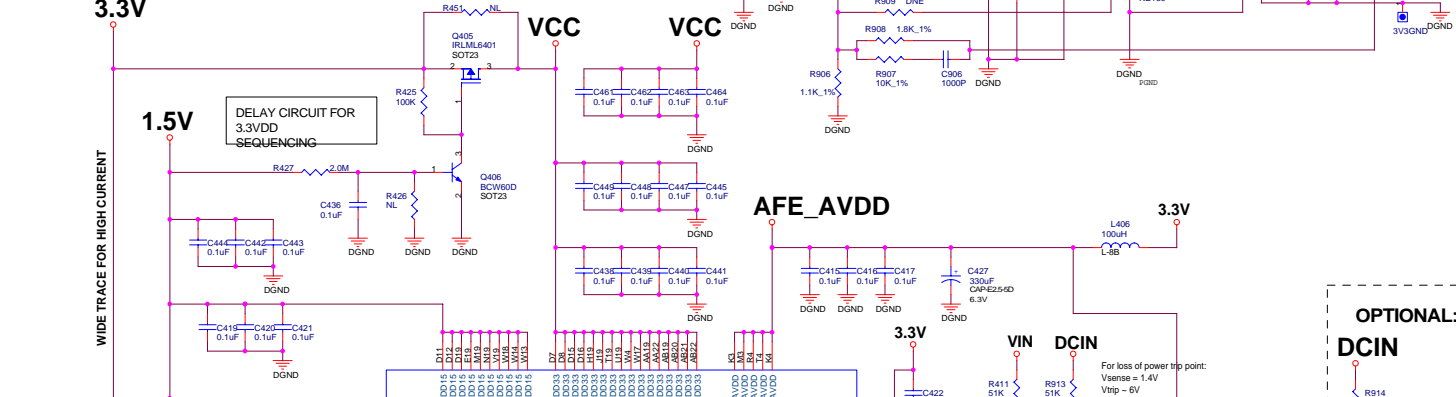
1.5V

DELAY CIRCUIT FOR
3.3VDD
SEQUENCING

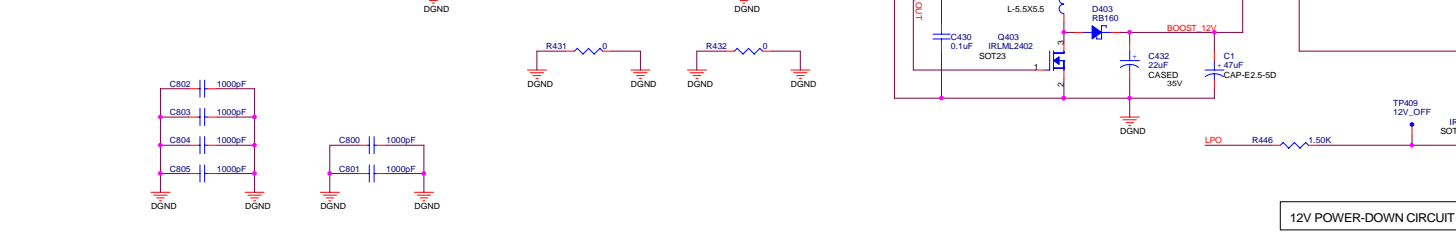
VCC

VCC

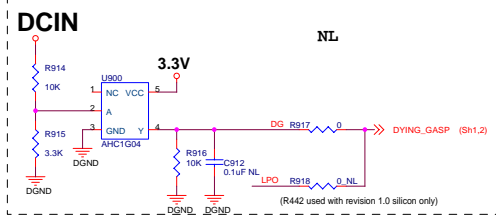
AFE_AVDD



U100B
TNETD7300



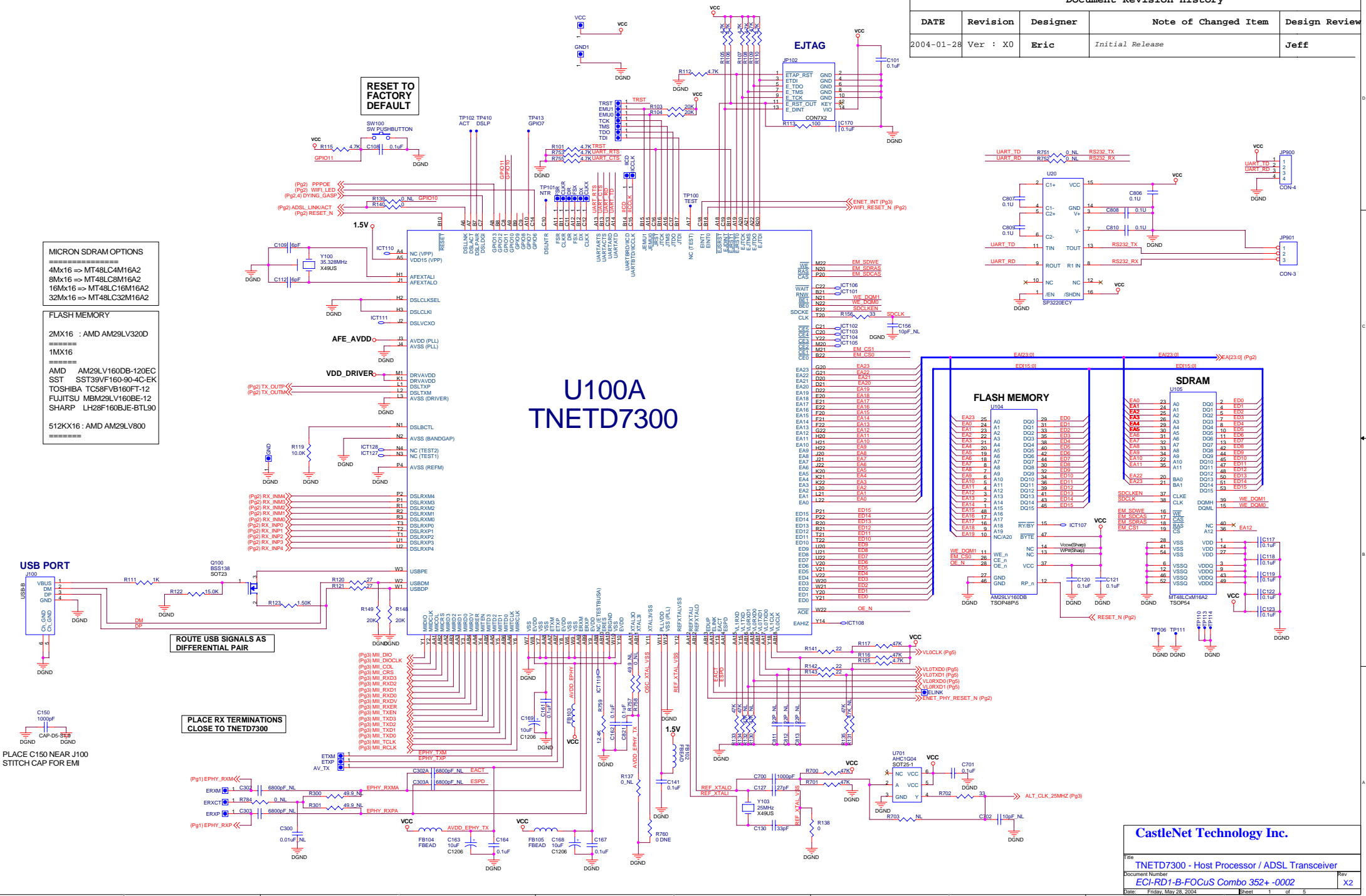
OPTIONAL: SUPPORT FOR DYING GASP



VDD_DRIVER

12V POWER-DOWN CIRCUIT

DATE	Revision	Designer	Note of Changed Item	Design Review
2004-01-28	Ver : X0	Eric	Initial Release	Jeff



FLASH MEMORY
 2Mx16 : AMD AM29LV320D
 1Mx16
 AMD AM29LV160DB-120EC
 SST SST39VF160-90-4C-EK
 TOSHIBA TC58FV160FT-12
 FUJITSU MBM29LV160BE-12
 SHARP LH28F160BJE-BTL90
 512Kx16 : AMD AM29LV800

ROUTE USB SIGNALS AS DIFFERENTIAL PAIR

PLACE C150 NEAR J100 STITCH CAP FOR EMI

PLACE RX TERMINATIONS CLOSE TO TNETD7300

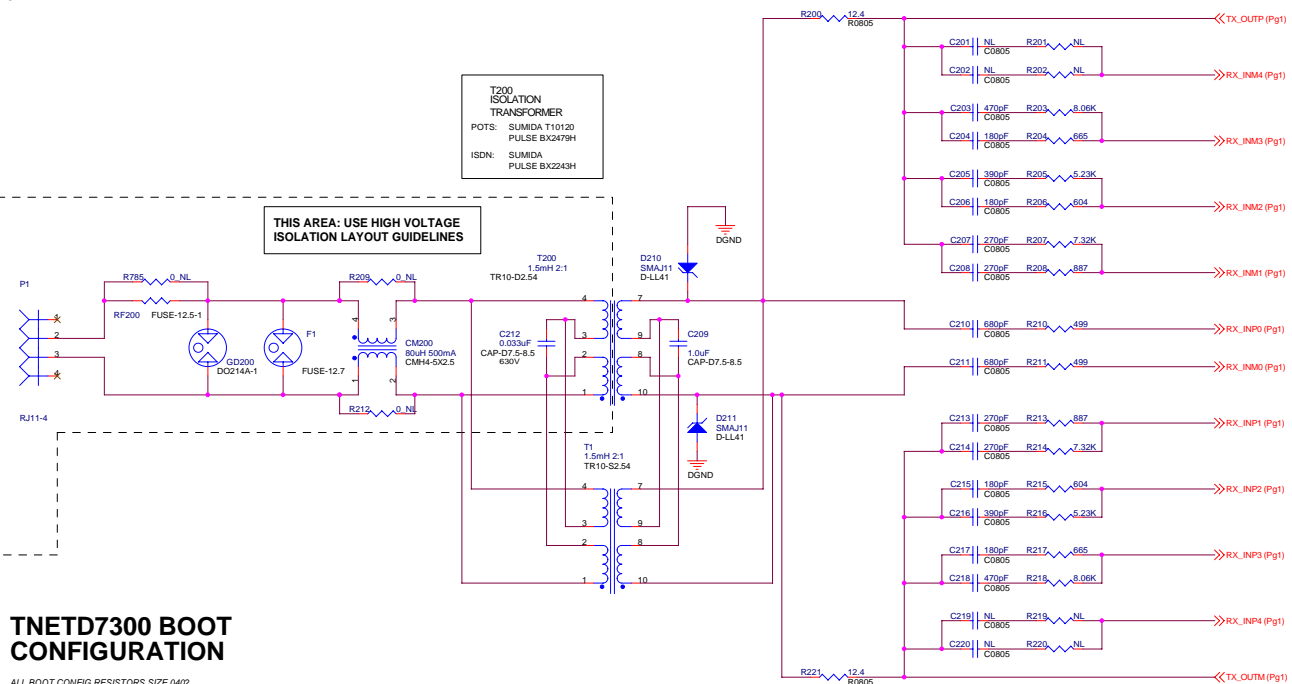
U100A TNETD7300

CastleNet Technology Inc.

Title: TNETD7300 - Host Processor / ADSL Transceiver
 Document Number: ECI-RD1-B-FOCuS Combo 352+-0002
 Date: Friday, May 26, 2004
 Sheet: 1 of 5
 Rev: X2

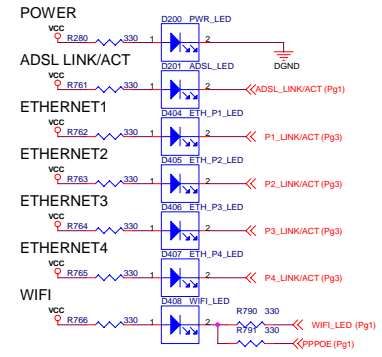
T200 ISOLATION TRANSFORMER
POTS: SUMIDA T10120
PULSE BX2479H
ISDN: SUMIDA
PULSE BX2243H

THIS AREA: USE HIGH VOLTAGE ISOLATION LAYOUT GUIDELINES



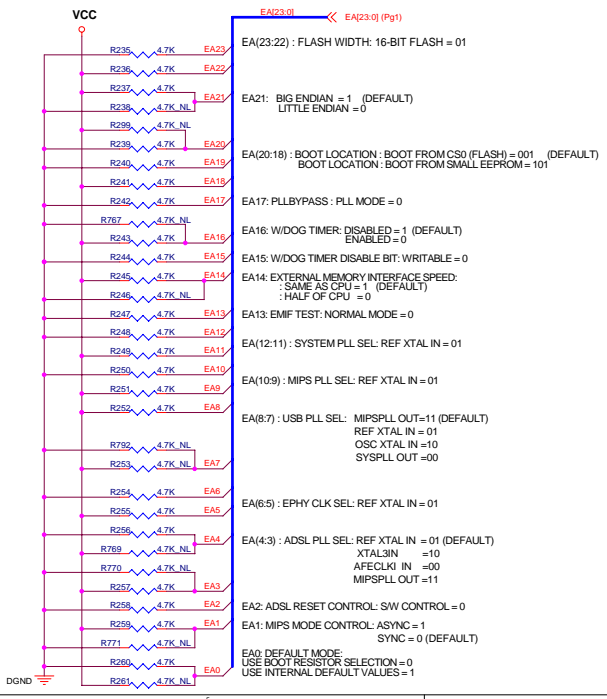
For ISDN, populate values as follows:
R208, R213 = 1180 ohms; C208, C213 = 220pF
R207, R214 = 196K ohms; C207, C214 = 56pF
R206, R215 = 1.96K ohms; C206, C215 = 220pF
R205, R216 = NL; C205, C216 = NL
R204, R217 = 0 ohms; C204, C217 = 27pF
R203, R218 = 2.15K ohms; C203, C218 = 220pF
R202, R219 = NL; C202, C219 = NL
R201, R220 = NL; C201, C220 = NL
C212 = 0.022uF
C210, C211 = 330pF

LEDs

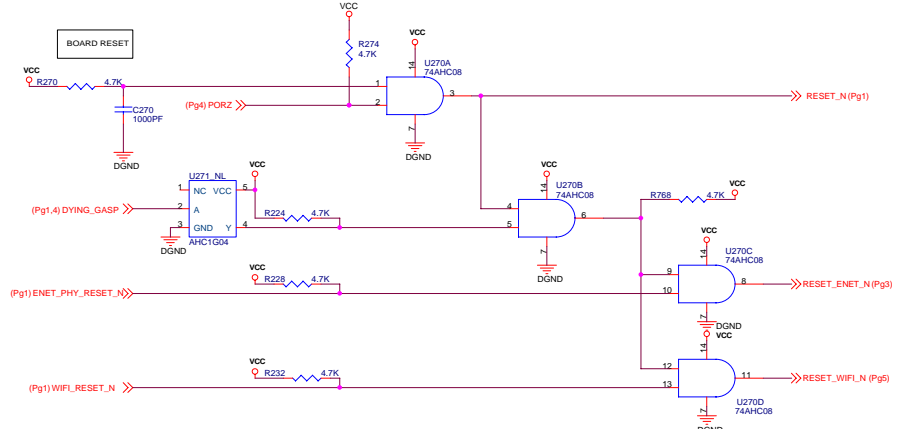


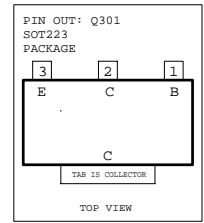
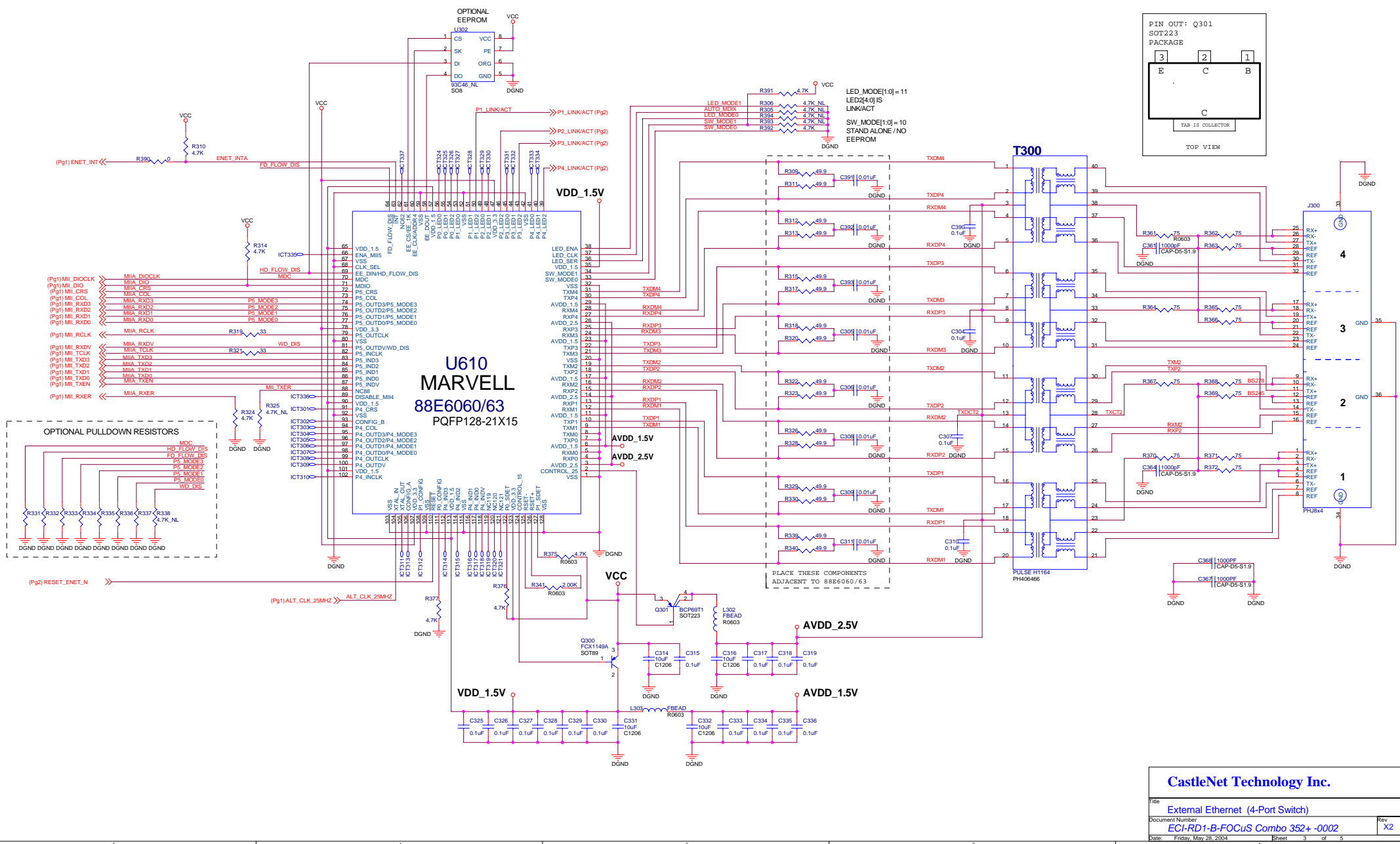
TNETD7300 BOOT CONFIGURATION

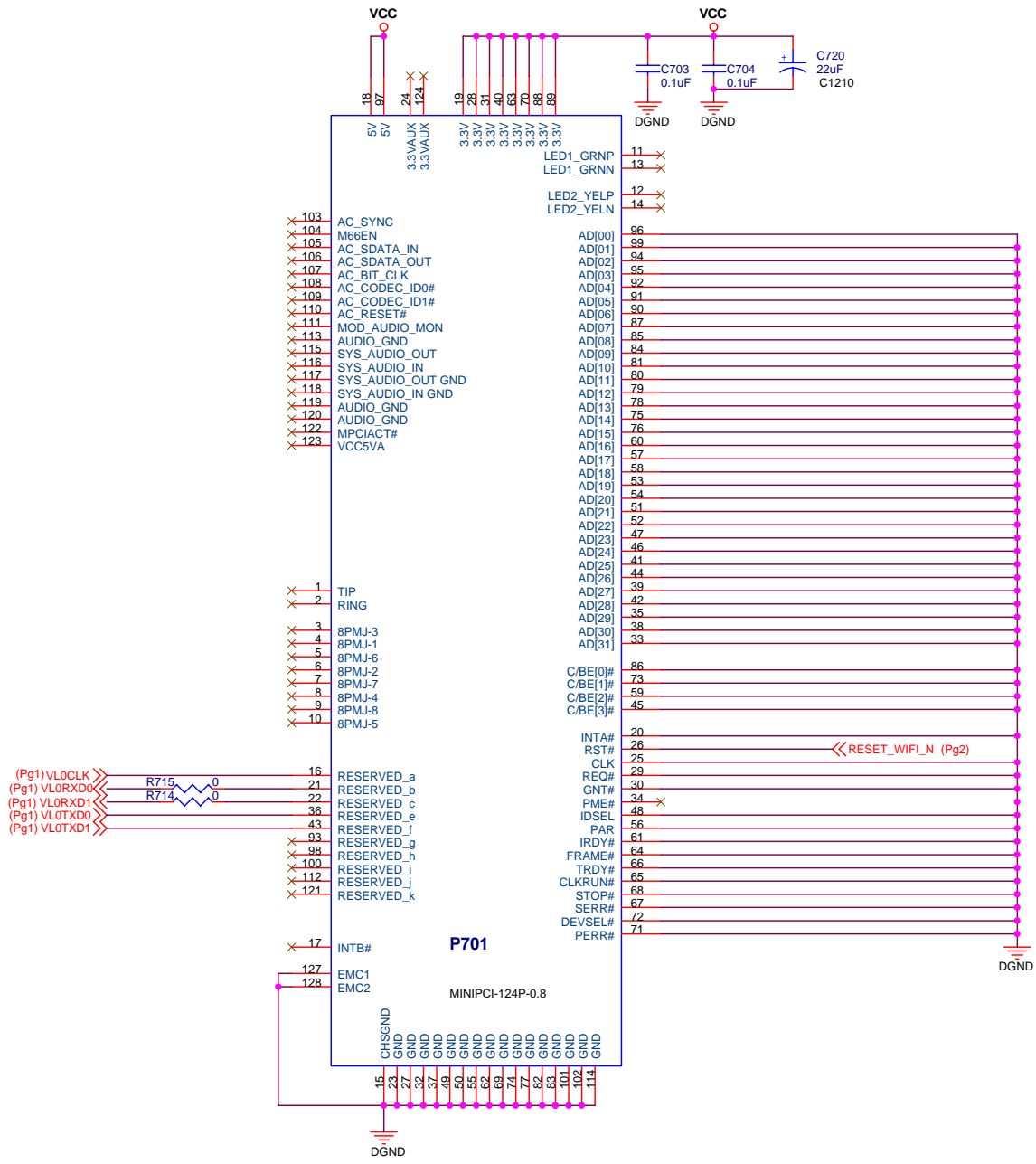
ALL BOOT CONFIG RESISTORS SIZE 0402



RESET CIRCUITRY







CastleNet Technology Inc.	
Title Wireless Connector	
Document Number ECI-RD1-B-FOCuS Combo 352+ -0002	Rev X2
Date: Friday, May 28, 2004	Sheet 5 of 5